

Helping our  
customers win

Inventive, Expert  
**Problem-Solvers**



320.763.6043  
[www.aagard.com](http://www.aagard.com)  
[sales@aagard.com](mailto:sales@aagard.com)



the-aagard-group-llc



TheAagardGroup



TheAagardGroup

WE BUILD  
COOL MACHINES  
**Aagard**



# WE BUILD COOL MACHINES

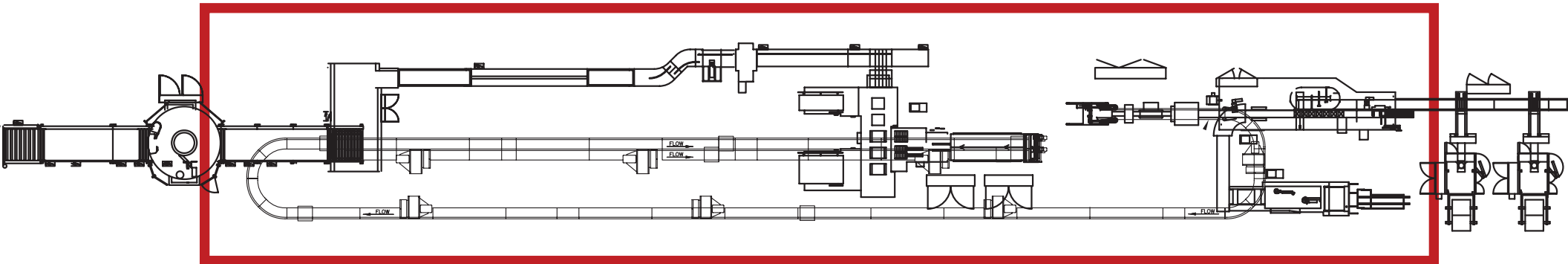
**It's our willingness to say yes and deliver premium tailor-made automation that sets us apart.**

Discover and Experience:

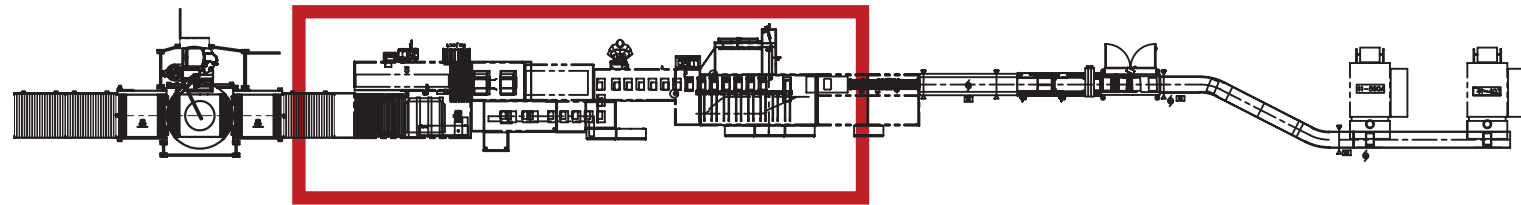
- Simplified and Optimized
- Big Picture Understanding
- The Exact Solution

# All of the capability, a quarter of the space

Before



Aagard



Same Operation  
Shown To Scale  
\*See scorecard below

Side Seam Gluer | Cartoner | Case Packer | Palletizer

## Simplified and Optimized

### Customer Scorecard

Key Performance Indicator	Results
Floor Space	75% ↓
Installed Capital Cost	50% ↓
Installation/Start-up Time	90% ↓
Crewing	30% ↓
Changeover Time	80% ↓
Line Uptime & Cases/shift	15% ↑

Cool Video:  
Small Footprint  
Combination  
Machine

**SCAN ME**



Helping you, our customer, win by creating the **EXACT SOLUTION** to meet your challenges.

- Do you need quick and precise changeovers?
- Is your floor space tight?
- Do you need to maximize reliability and throughput?
- Are you looking for high-speed automation?
- Do you need to integrate auxiliary operations?

**Customized  
Systems**

**Combination  
Machines**

**Retail Ready  
Packaging**

**Cartoners**

**Case  
Packers**

**Palletizers**

## Premium Automation

**WE ARE** inventive problem solvers,  
**KNOWN FOR OUR** innovative engineering,  
proven processes and commitment to  
deliver the **EXACT SOLUTION** to meet  
your challenges.

**A** **Our Engineering  
Team**



"Let us show you how"



**Direct  
Access**



**Big  
Picture**



**Exact  
Solution**



**Other Companies**

No "Not possible"

Maybe

"I'll check with engineering"

## Yes We Can

We thrive on unique challenges and building  
**PARTNERSHIPS** that **MAXIMIZE RESULTS** and  
create a **VISION** for the future.

